

Triac dimmable driver---Constant Voltage PWM output series 50W



■ Features

- Output constant voltage
- Range AC input: 180-240VAC
- Efficiency : up to 84%
- Protections: short circuit/over loading/over current /Over temperature
- Full protection plastic housing easy installation
- IP20 design for indoor installation
- Cooling by free air convection
- Work with leading edge Triac dimmer TRIAC dimmer
- Strong compatibility, flicker-free dimming
- Suitable for LED lighting and moving sign applications

CE IP20 SELV

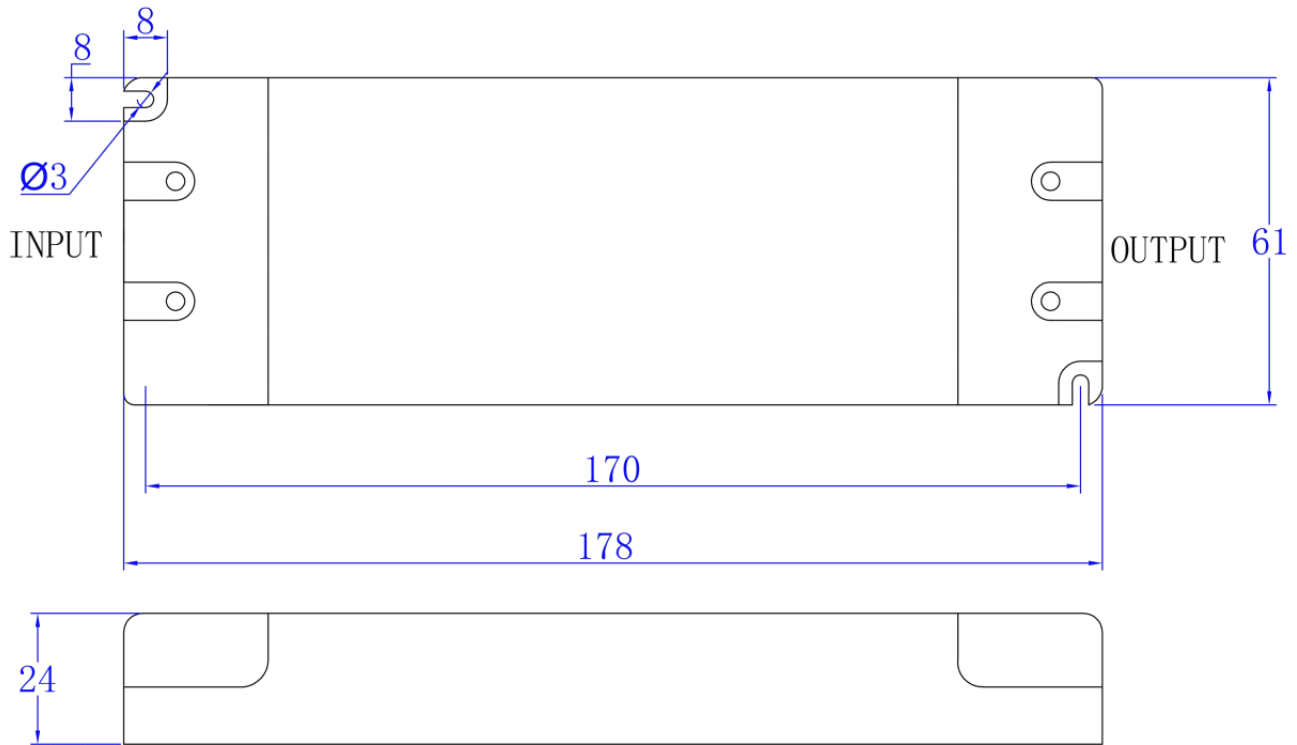
■ Specification

| Model | b W hj YfZ [VUF | | BH&(J) \$K 8 |
|-----------------------|--|--|---------------|
| Output | DC Voltage | 12V | 24V |
| | Voltage Tolerance | ±0.5V | |
| | Rated current | 4.17A | 2.08A |
| | Rated power | 50W | |
| Input | Voltage Range | 180-240VAC | |
| | Frequency Range | 47-63HZ | |
| | Power Factor | PF≥0.65/180VAC PF≥0.65/230VAC PF≥0.65/240VAC(Full loading) | |
| | Full Load Efficiency(Typ.) | 80% | 84% |
| | AC Current (Max.) | 0.55A | 0.52A |
| | Leakage current | <0.50mA | |
| Protection | Short Circuit | Hiccup mode, recovers automatically after fault condition is removed | |
| | Over Loading | ≤120% | |
| | Over Current | ≤ 1.2 *I out | |
| | Over Temperature | 100°C ± 10°C shut down o/p voltage ,re-power on to recover | |
| Environment | Working TEMP. | -40+70°C | |
| | Working Humidity | 20-90%RH, non-condensing | |
| | Storage TEM.,Humidity | -40+80°C, 10-95%RH | |
| | TEMP.coefficient | ±0.03%/°C(0-50°C) | |
| | Vibration | 10-500Hz,2G 10min./1 cycle,period for 72min,each along X,Y,Z axes. | |
| Safety&EMC | Safety standards | EN61347-1 EN61347-2-13 | |
| | Withstand voltage | I/P-O/P:3.75KVAC | |
| | Isolation resistance | I/P-O/P :100MΩ/500VDC/25°C/70%RH | |
| | EMC Emission | EN55015,EN61000-3-2,3 (≥60%loading) | |
| Others | Net.Weight | 0.35KG | |
| | Size | 178*61*24mm (L*W*H) | |
| | packing | 185*65*28mm inner box 290*215*240mm outside carton 20PCS/CTN | |
| Notes | 1. All parameters NOT specially mentioned are measured at 230VAC input , rated load and 25°C of ambient temperature. | | |

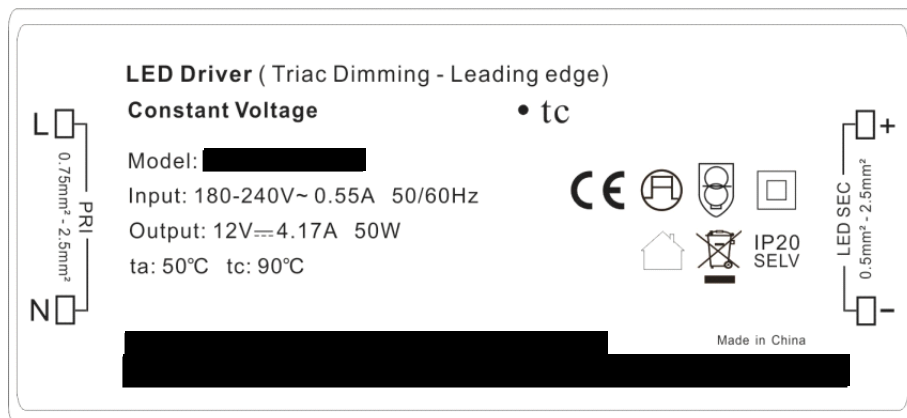
Triac dimmable driver---Constant Voltage PWM output series 50W

2. Tolerance: includes set up tolerance, line regulation and load regulation .
3. The power supply is considered as a component that will be operated in combination with final Equipment. Since EMC performance will be affected by the complete installation, the final equipment manufactures must be-qualify EMC Directive on the complete installation again
4. Loading range from 5% to 100%

■ Mechanical Specification



■ Label



- ※ Input with Live Wire AC (L), Neutral Wire AC(N)
- ※ Output LED SEC output Positive (LED+) , output negative(LED-). Connected to LED Lamps.
- ※ Suggested wire diameter:Input 0.75-2.5mm²; Output:0.5-2.5mm².
- ※ Please make sure you connect these correctly otherwise your product will not function correctly and could be damaged.

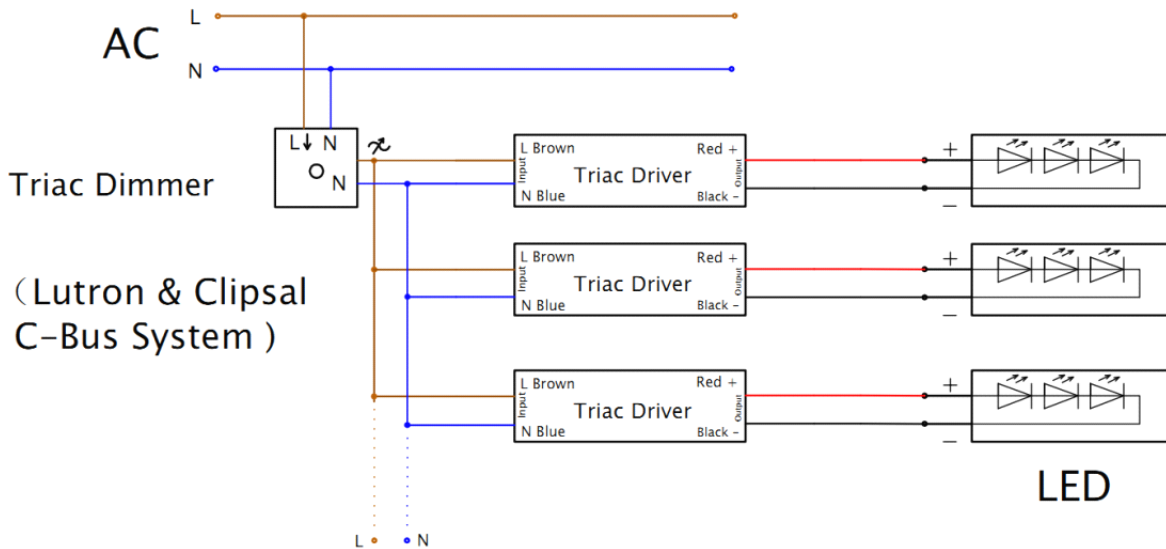
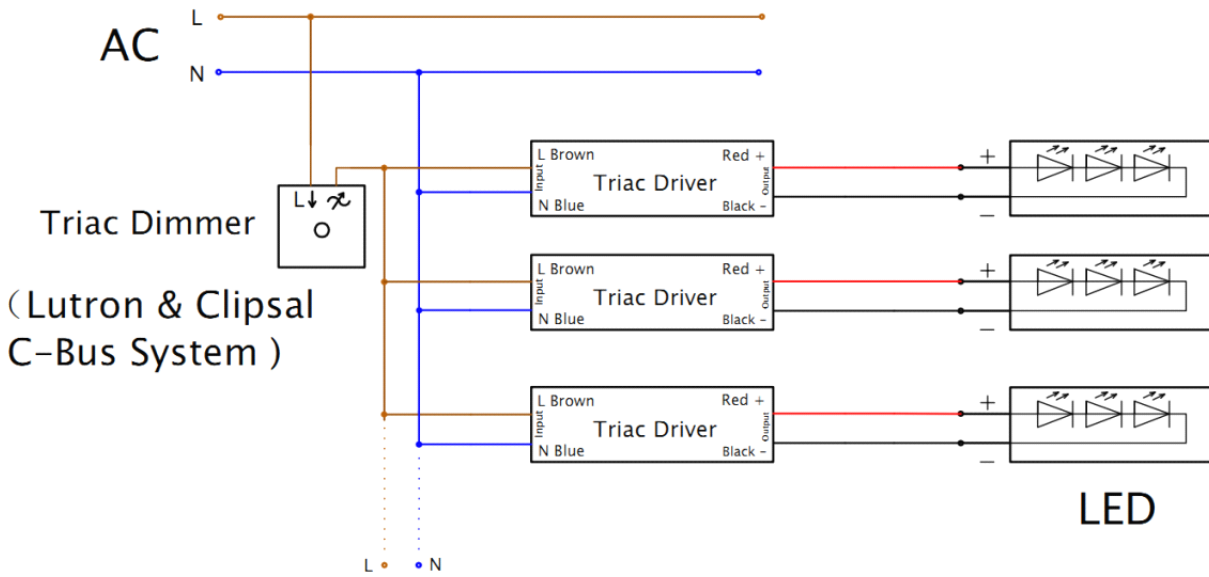
Triac dimmable driver---Constant Voltage PWM output series 50W

※Note: Any other requests we can customized.

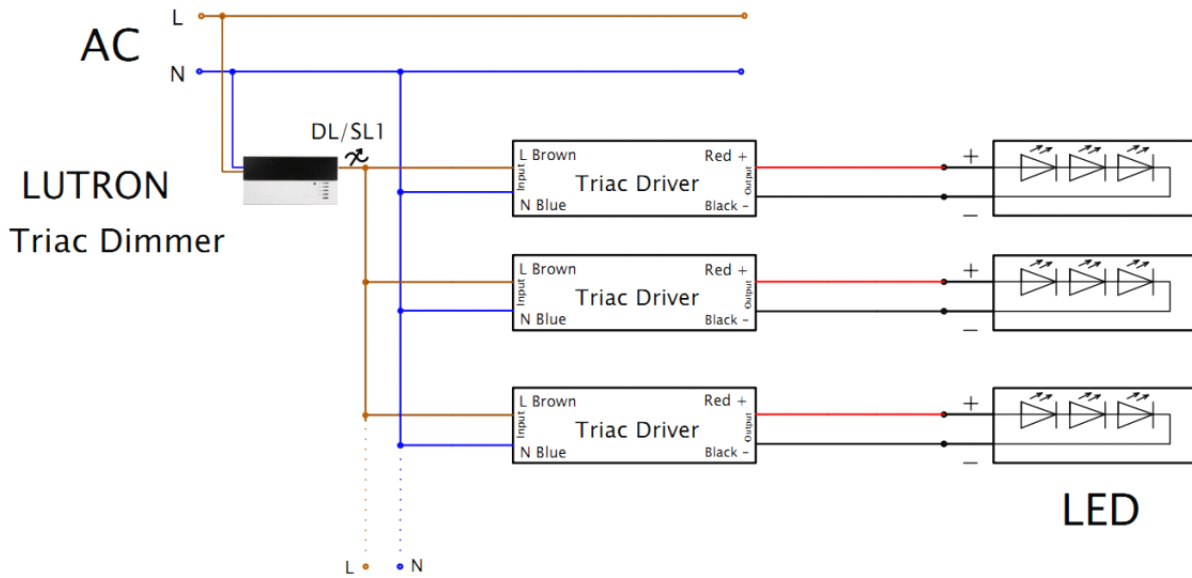
■Dimming Operation

- ※Output constant current level can be adjusted through input terminal of the AC phase line(L) by connection a triac dimmer.
- ※Usually matching with leading edge Triac Dimmers
- ※please try to use the small power dimmer, have access to a wider dimming range, high-power dimmer is difficult to achieve the output current to zero
- ※please try to use dimmers with power at least 3 times as the output power of the driver.

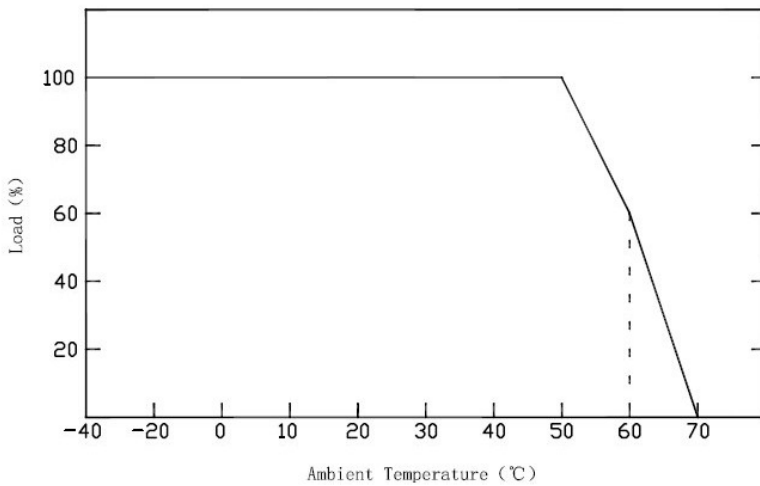
■ Connecting Diagram



Triac dimmable driver---Constant Voltage PWM output series 50W



Derating Curve



※To extend their life, please refer to the Derating Curve and derate according to the temperature.

Instruction:

- 1) This driver should be installed by qualified and professional person;
- 2) Please make sure the transformer is installed with adequate ventilation around it to allow for heat dissipation.
- 3) Ensure that wiring is correct before test in order to avoid light and power supply damage;
- 4) If driver cannot work normally, don't maintain privately