

Constant Voltage Triac dimmable driver---200W series**Features**

- Output constant voltage
- Universal AC input/ :180-240VA
- High efficiency :up to 87%
- Protections:short circuit/over loading/over current
- Full protection aluminum housing
- Easy installation
- Cooling by free air convection
- Work with leading edge TRIAC dimmers
- Strong compatibility, flicker-free dimming
- Suitable for LED lighting and moving sign applications
- CE, RoHS, IP67, SELV

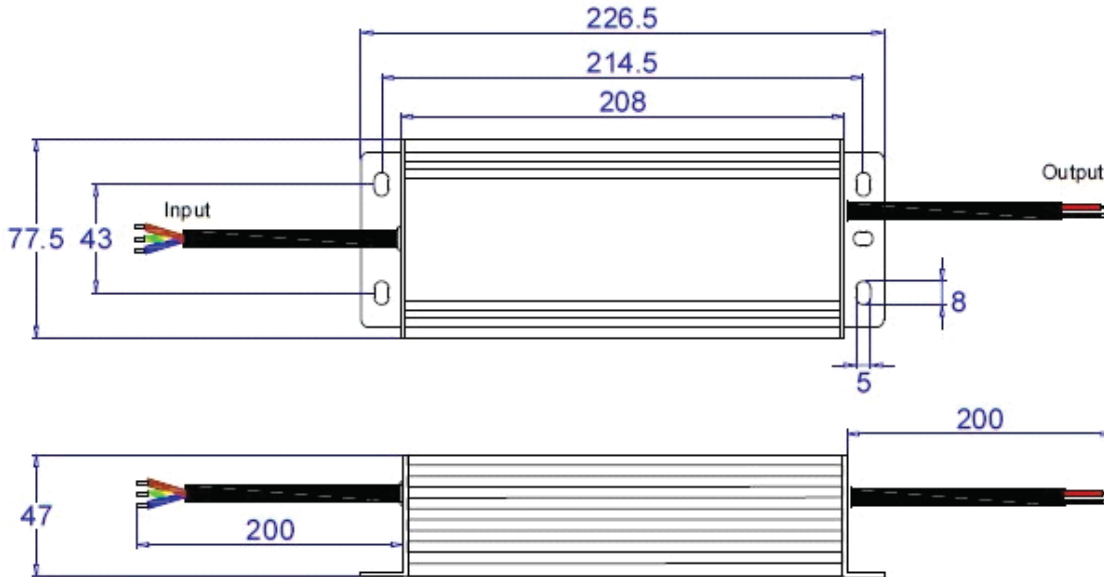
Specification

Model		nicht verfügbar	NT24V200WIP67D	nicht verfügbar	nicht verfügbar
Output	DC Voltage	12V	24V	36V	48V
	Voltage Tolerance	±0.5V			
	Rated current	16.67A	8.33A	5.56A	4.16A
	Rated power	200W			
Input	Voltage Range	180~240V AC (100-130V AC can customized)			
	Frequency Range	47~63HZ			
	Power Factor (Typ.)	PF 0.65/220V			
	Full Load Efficiency (Typ.)	85%	86%	86%	87%
	AC Current (Typ.)	1.78A	1.76A	1.76A	1.74A
	Leakage current	< 0.70mA/220VAC			
Protection	Short Circuit	Hiccup mode, recovers automatically after fault condition is removed.			
	Over load	≤120%			
	Over Current	≤1.4*I out			
Environment	Working TEMP.	-40~+60°C			
	Working Humidity	20~90%RH,non-condensing			
	Storage TEM.,Humidity	-40~+80°C, 10~95%RH			
	TEMP.coefficient	±0.03%/°C (0~50°C)			
	Vibration	10~500Hz 2G 10min./1 cycle, period for 60min.each along X,Y,Z axes			
Safety&EMC	Safety standards	EN61347-1 EN61347-2-13			
	Withstand voltage	I/P-O/P:3.75KVAC			
	Isolation resistance	I/P-O/P: 100MΩ/500VDC/25°C/70%RH			
	EMC EMISSION	Compliance to EN55015,EN61000-3-2 (≧ 50%load)			
	EMC IMMUNITY	EN61000-4-2,3,4,5,6,11 (Surge 4KV)			
Others	Weight	1.8Kg			

Constant Voltage Triac dimmable driver---200W series

	Size	226.5*77.5*47mm (L*W*H)
	packing	440*295*145mm 8 pieces in one carton
Notes	1. All parameters NOT specially mentioned are measured at 220VAC input , rated load and 25°C of ambient temperature. 2..Tolerance:includes set us tolerance,line regulation and load regulation .	

■200W triac dimmable driver Mechanical Specification

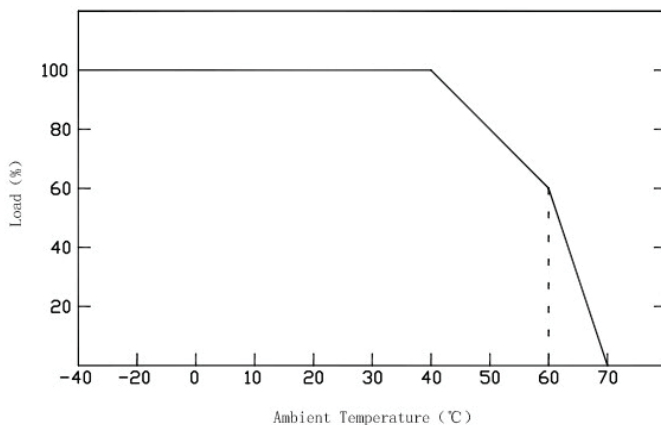


- ※Input Brown with AC (L),Blue with AC (N)
- ※Output Red is (DIM+) ,Black is (DIM-)
- ※Note: Any other requests we can customized.

■Dimming Operation

- ※Output power level can be adjusted through input terminal of the AC phase line(L) by connecting a triac dimmer.
- ※ Usually matching with leading edge Triac Dimmers(Can customized as a driver only matching trailing edge Triac Dimmers if needed).
- ※please try to use dimmers with power at least 3 times as the output power of the driver.

■Derating Curve



- ※To extend their life, please refer to the Derating Curve and derate according to the temperature.

Constant Voltage Triac dimmable driver---200W series

■ Connecting Diagram

